



Intellectual  
Property  
Office

# Certificate of Registration for a UK Design

Design number: 6337344

Grant date: 23 January 2024

Registration date: 03 January 2024

## This is to certify that,

in pursuance of and subject to the provision of Registered Designs Act 1949, the design of which a representation or specimen is attached, had been registered as of the date of registration shown above in the name of

HALESH KOTI, BONDILI MADHAVI, MARAM ASHOK, GOGULA SANDHYA

DEVI, GOGULA SUVARNA KUMAR, GUNAGANTI SRAVANTHI, JALUMURI

ANITHA

in respect of the application of such design to:

SENSOR BASED CAMERA FOR HEALTHCARE MANAGEMENT

International Design Classification:

Version: 14-2023

Class: 24 MEDICAL AND LABORATORY EQUIPMENT

Subclass: 01 APPARATUS AND EQUIPMENT FOR DOCTORS, HOSPITALS  
AND LABORATORIES

Version: 14-2023

Class: 16 PHOTOGRAPHIC, CINEMATOGRAPHIC AND OPTICAL  
APPARATUS

Subclass: 01 PHOTOGRAPHIC CAMERAS AND FILM CAMERAS

**Adam Williams**

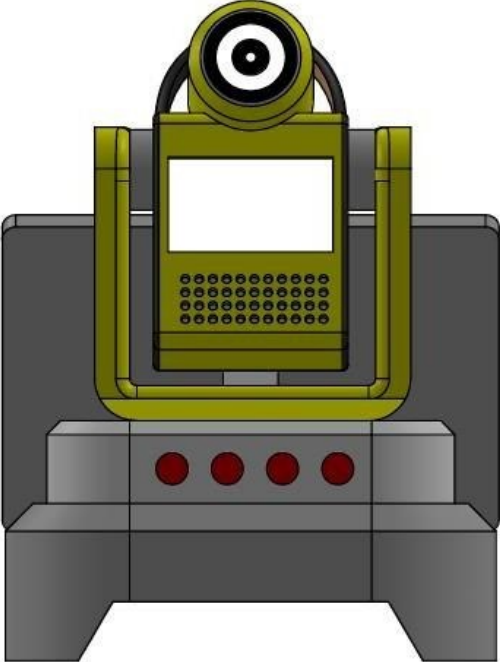
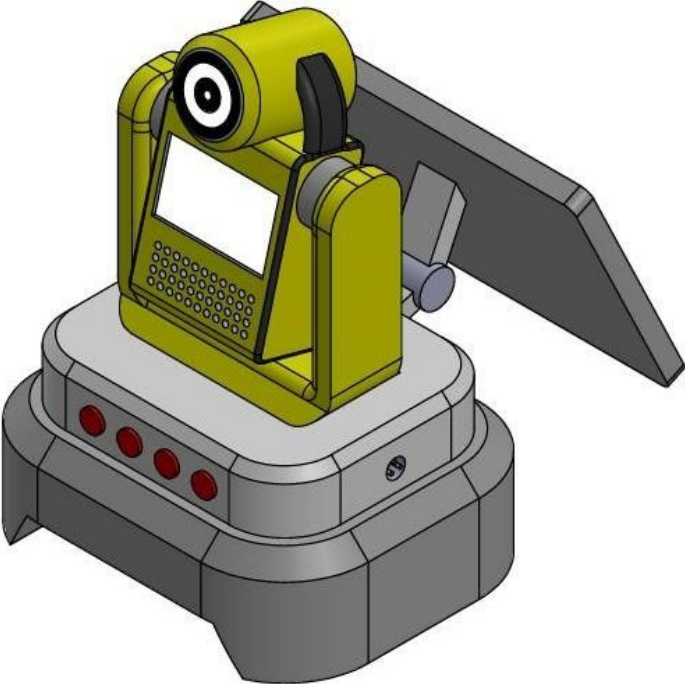
Comptroller-General of Patents, Designs and Trade Marks

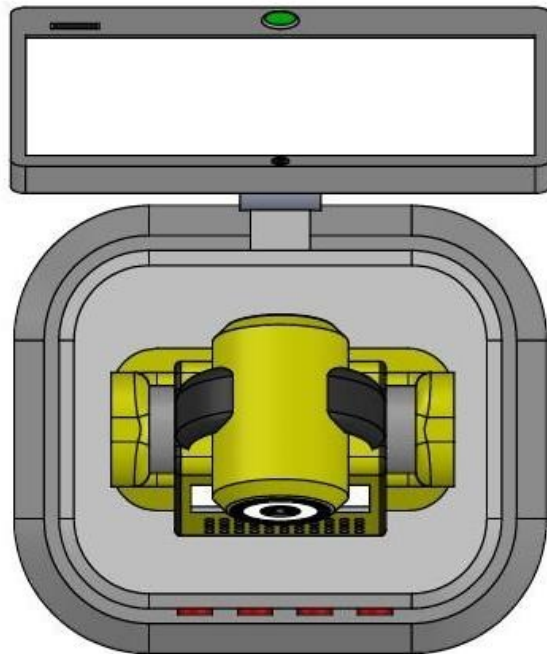
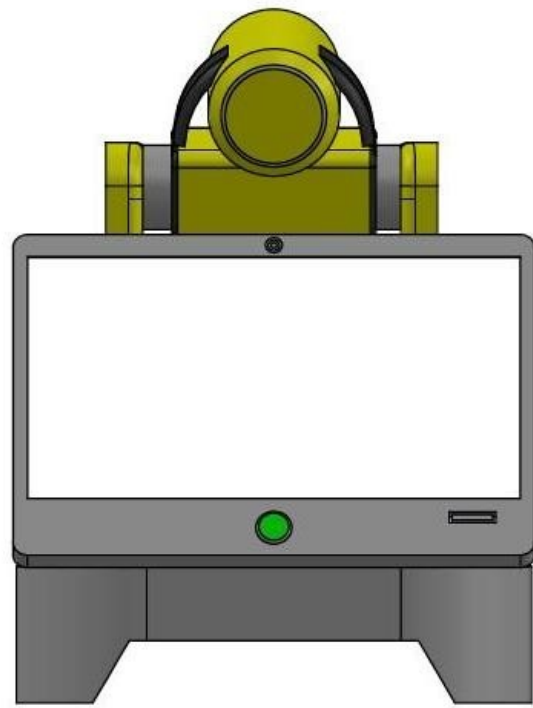
Intellectual Property Office

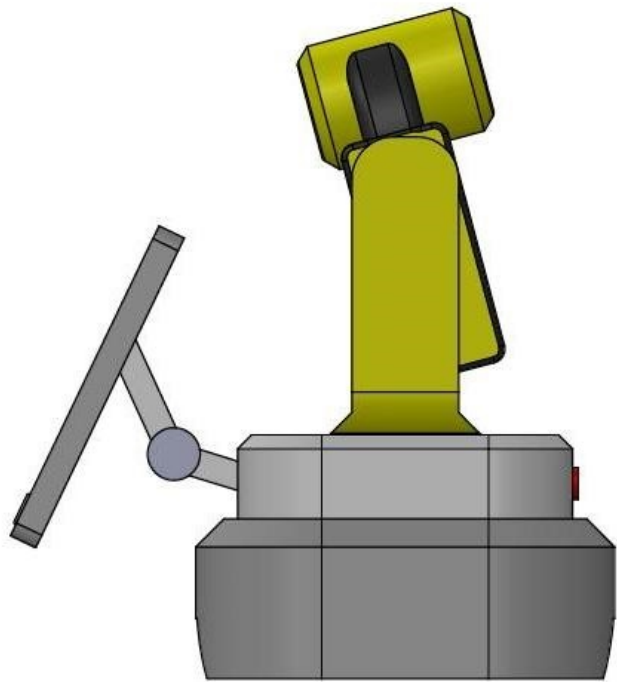
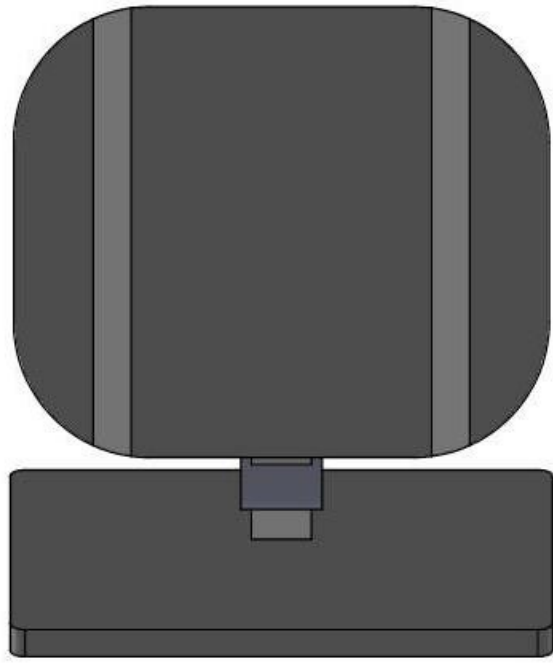
The attention of the Proprietor(s) is drawn to the important notes overleaf.

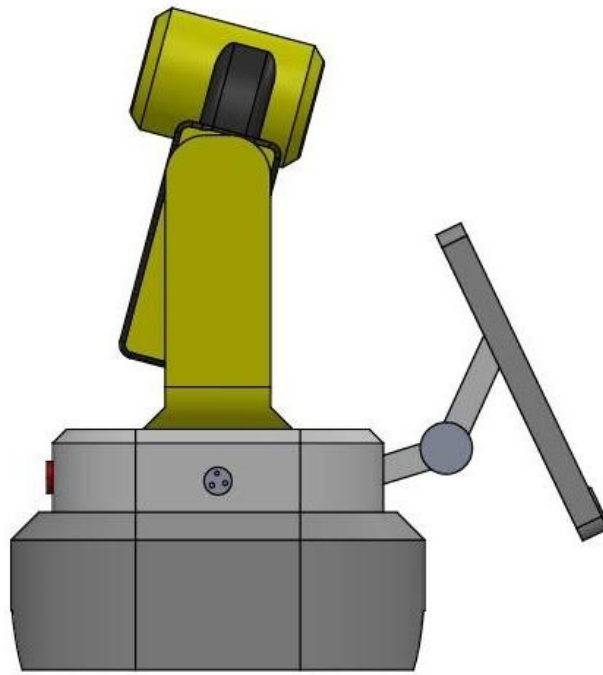


Representation of Designs









Intellectual Property Office is an operating name of the Patent Office

[www.gov.uk/ipo](http://www.gov.uk/ipo)